



Office of the  
Deputy Prime Minister

Creating sustainable communities

The Building Regulations 2000

## Glazing – safety in relation to impact, opening and cleaning

# N

### APPROVED DOCUMENT

- |           |   |
|-----------|---|
| <b>N1</b> | <b>Protection against impact</b>  |
| <b>N2</b> | <b>Manifestation of glazing</b>   |
| <b>N3</b> | <b>Safe opening and closing of windows,<br/>skylights and ventilators</b> |
| <b>N4</b> | <b>Safe access for cleaning windows etc</b>                               |

ONLINE VERSION

1998 edition  
incorporating 2000  
amendments

---

# Amendments to Approved Documents and Compliance Guides 2010

---

All references to the Building Regulations 2000 (as amended) should be read as references to the Building Regulations 2010.

All references to the Building (Approved Inspectors etc.) Regulations 2000 should be read as references to the Building (Approved Inspectors etc.) Regulations 2010.

There have been no substantive requirements amendments to either set of regulations, but please note the simplification of the definition of 'room for residential purposes' in regulation 2 of the Building Regulations 2010. Please also note that L1(c) has now become regulation 40.

The following tables will help you to find the new regulation number for regulations which have been re-numbered in the 2010 Regulations. For any regulation number not included in the tables below, the number of the regulation has not changed.

## Building Regulations

Regulation number in Building Regulations 2000	Regulation number in Building Regulations 2010	Regulation number in Building Regulations 2000	Regulation number in Building Regulations 2010	Regulation number in Building Regulations 2000	Regulation number in Building Regulations 2010
2(2A)	2(3)	12(7)	12(8)	20AA	42
2(2B)	2(4)	13(2)(c)(iii)	13(2)(ii)	20B	43
2(2C)	2(5)	13(3)	deleted	20C(A1)	44(1)
2(3)	deleted	13(5)	13(3)	20C(1)	44(2)
3(1)(g)	3(1)(h)	13(6)	13(4)	20C(2)	44(3)
3(1)(h)	3(1)(g)	13(7)	13(5)	20C(3)	44(4)
4(1A)	4(2)	14(3)(aa)	14(3)(b)	20D	27
4(2)	4(3)	14(3)(b)	14(3)(c)	20E	37
4A	23	14A	15	21(1)	18(1)
4B(1)	22	15	16	21(2)	18(8)
4B(2)	deleted	16A	20	21(3)	18(2)
6(1)(cc)	6(1)(d)	16B	38	21(4)	18(3)
6(1)(d)	6(1)(e)	16C	39	21(5)	18(4)
6(1)(e)	6(1)(f)	17A	24	21(6)	18(5)
6(1)(f)	6(1)(g)	17B	25	21(7)	18(6)
6(1)(ff)	6(1)(h)	17C	26	21(8)	18(7)
6(1)(g)	6(1)(i)	17D	28	22	47
9(1A)	9(2)	17E(4)	29(5)	22B(1)(a)	48(1)(a)
9(2)	9(3)	17E(5)	29(4)	22B(1)(b)	48(1)(b)
9(3)	21(1)	17F	30	22B(1)(c)	48(1)(c)
9(4)	21(2)	17G	31	22B(1)(d)	48(1)(g)
9(5)	21(3)	17H	32	22B(1)(e)	48(1)(d)
9(5A)	21(4)	17I	33	22B(1)(f)	48(1)(i)
9(6)	21(5)	17J	35	22B(1)(g)	48(1)(j)
12(2)	12(1)	17K	36	22B(1)(h)	48(1)(l)
12(2A)	12(2)	18	45	22B(1)(ha)	48(1)(m)
12(4A)	12(5)	19	46	22B(1)(i)	48(1)(n)
12(5)	12(6)	20	19	22B(1)(j)	48(1)(o)
12(6)	12(7)	20A	41	22B(1)(k)	48(1)(h)
22B(1)(ka)	48(1)(k)	J2A	J3	J6	J7
22B(1)(l)	48(1)(e)	J3	J4	L1(c)	Regulation 40
22B(1)(m)	48(1)(f)	J4	J5	Schedule 2A	Schedule 3
22B(2)	48(2)	J5	J6	Schedule 2B	Schedule 4

## Building (Approved Inspectors etc.) Regulations

Regulation number in Building (Approved Inspectors etc.) Regulations 2000	Regulation number in Building (Approved Inspectors etc.) Regulations 2010	Regulation number in Building (Approved Inspectors etc.) Regulations 2000	Regulation number in Building (Approved Inspectors etc.) Regulations 2010	Regulation number in Building (Approved Inspectors etc.) Regulations 2000	Regulation number in Building (Approved Inspectors etc.) Regulations 2010
1	1 and 38	13(1)(d)	12(6)(c)	25(2)	25(3)
3	4	13(2)	12(1)	25(3)	25(4)
4	3	13(3)	12(2)	31A(a)	32(c)
8	10	13(4)	12(3)	31A(b)	32(c)
9	11	13(5)	12(4)	31A(c)	32(e)
10(1)	9(5)	13(6)	12(5)	31A(d)	32(f)
10(2)	9(1)	13A	13	31A(e)	32(h)
10(3)	9(2)	14	14(1)	31A(ea)	32(i)
10(4)	9(3)	15(1)	14(2)	31A(f)	32(j)
10(5)	9(4)	15(2)	14(3)	31A(g)	32(k)
11(1)(a)	8(1)(a)	15(3)	14(4)	31A(h)	32(d)
11(1)(c)	8(1)(b)	16	15	31A(ha)	32(g)
11(2)	8(2)	17	16	31A(i)	32(a)
11A	20(1)	18(1)	17(1)	31A(j)	32(b)
12	20(1) and (3)	18(2)	17(2) and (3)	*Sch 3 7A	Sch 2 8
12A	20(1) and (5)	18(3)	17(4)	Sch 3 8	Sch 2 9
12AA	20(1)	18(4)	17(5)	Sch 3 9	Sch 2 10
12B	20(1)	18(5)	17(6)	Sch 4 7A	Sch 3 8
12C	20(1) and (6)	18(6)	17(7)	Sch 4 8	Sch 3 9
12D	20(1) and (2)	19	18	Sch 6 5A	Sch 5 6
12E	20(1) and (4)	20	19	Sch 6 6	Sch 6 7
13(1)	12(6)	23A	24		
13(1)(b)	12(6)(a)	24	25(1)		
13(1)(c)	12(6)(b)	25(1)	25(2)		

Please note that some of the numbering and cross referencing in the forms in Schedule 1 has changed slightly.

\*Sch =Schedule

## **MAIN CHANGES IN THE 1998 EDITION**

This edition of approved Document N, Glazing – safety in relation impact, opening and cleaning, replaces the 1992 edition. The main changes are:

### **Requirement N3**

**Safe opening and closing of windows etc:** new requirement to reduce the risk of injury when adjusting windows, skylights and ventilators.

### **Requirement N4**

**Safe access for cleaning windows etc:** new requirement to reduce risk of injury when cleaning glazed surfaces.

ONLINE VERSION

ONLINE VERSION

ONLINE VERSION

# Contents

	PAGE		PAGE
<b>Use of guidance</b>	2	<b>DIAGRAMS</b>	
The Approved Documents	2	1. Critical locations in internal or external walls	6
Limitation on requirements	2	2. Annealed glass thickness/ dimension limits	6
Materials and workmanship	2	3. Dimensions and areas of small panes	7
The Workplace (Health, Safety and Welfare) Regulations 1992	3	4. Permanent screen protection	7
<b>Protection against impact and manifestations of glazing</b>		5. Height of 'manifestation' of large areas of transparent glazing	8
<b>The Requirements N1 and N2</b>	4	6. Examples of door height glazing not warranting 'manifestation'	8
<b>Guidance</b>	5	7. Height of controls	10
Performance	5	8. Safe reaches for cleaning	12
<b>Section 1: Protection against impact</b>	6	9. Ladders not more than 6m long	13
Critical locations	6	10. Ladders not more than 9m long	13
Reducing the risks	6		
Safe breakage	6		
Robustness	6		
Glazing in small panes	7		
Permanent screen protection	7		
<b>Section 2: Manifestation of glazing</b>	8		
Critical locations	8		
Permanent manifestation of glazing	8		
Alternative indications of glazing	8		
<b>Safe opening and closing of windows, etc.</b>			
<b>The Requirement N3</b>	9		
<b>Guidance</b>	9		
Performance	9		
<b>Section 3: Safe opening and closing of windows, etc.</b>	10		
Introduction to provisions	10		
Location of controls	10		
Prevention of falls	10		
<b>Safe access for cleaning windows etc.</b>			
<b>The Requirement N4</b>	11		
<b>Guidance</b>	11		
Performance	11		
Requirement N4	11		
<b>Section 4: Safe access for cleaning windows, etc.</b>	12		
Introduction to provisions	12		
<b>Standards referred to</b>	14		

# Use of guidance

## THE APPROVED DOCUMENTS

The Building Regulations 2000 (SI 2000/2531), which come into operation on 1 January 2001, replace the Building Regulations 1991 (SI 1991/2768) and consolidate all subsequent revisions to those regulations. This document is one of a series that has been approved and issued by the Secretary of State for the purpose of providing practical guidance with respect to the requirements of Schedule 1 to and Regulation 7 of the Building Regulations 2000 for England and Wales.

**At the back of this document is a list of all the documents that have been approved and issued by the Secretary of State for this purpose.**

Approved Documents are intended to provide guidance for some of the more common building situations. However, there may well be alternative ways of achieving compliance with the requirements. **Thus there is no obligation to adopt any particular solution contained in an Approved Document if you prefer to meet the relevant requirement in some other way.**

### Other requirements

The guidance contained in an Approved Document relates only to the particular requirements of the Regulations which the document addresses. The building work will also have to comply with the requirements of any other relevant paragraphs in Schedule 1 to the Regulations.

There are Approved Documents which give guidance on each of the Parts of Schedule 1 and on Regulation 7.

## LIMITATION ON REQUIREMENTS

In accordance with Regulation 8, the requirements in Parts A to K and N of Schedule 1 to the Building Regulations do not require anything to be done except for the purpose of securing reasonable standards of health and safety for persons in or about buildings (and any others who may be affected by buildings or matters connected with buildings).

## MATERIALS AND WORKMANSHIP

Any building work which is subject to the requirements imposed by Schedule 1 to the Building Regulations should, in accordance with Regulation 7, be carried out with proper materials and in a workmanlike manner.

You may show that you have complied with Regulation 7 in a number of ways. These include the appropriate use of a product bearing CE marking in accordance with the Construction Products Directive (89/106/EEC)<sup>1</sup> as amended by the CE Marking Directive (93/68/EEC)<sup>2</sup>, or a

product complying with an appropriate technical specification (as defined in those Directives), a British Standard, or an alternative national technical specification of any state which is a contracting party to the European Economic Area which, in use, is equivalent, or a product covered by a national or European certificate issued by a European Technical Approval Issuing body, and the conditions of use are in accordance with the terms of the certificate. You will find further guidance in the Approved Document supporting Regulation 7 on materials and workmanship.

### Independent certification schemes

There are many UK product certification schemes. Such schemes certify compliance with the requirements of a recognised document which is appropriate to the purpose for which the material is to be used. Materials which are not so certified may still conform to a relevant standard.

Many certification bodies which approve such schemes are accredited by UKAS.

### Technical specifications

Building Regulations are made for specific purposes: health and safety, energy conservation and the welfare and convenience of disabled people. Standards and technical approvals are relevant guidance to the extent that they relate to these considerations. However, they may also address other aspects of performance such as serviceability, or aspects which although they relate to health and safety are not covered by the Regulations.

When an Approved Document makes reference to a named standard, the relevant version of the standard is the one listed at the end of the publication. However, if this version has been revised or updated by the issuing standards body, the new version may be used as a source of guidance provided it continues to address the relevant requirements of the Regulations.

The appropriate use of a product which complies with a European Technical Approval as defined in the Construction Products Directive will meet the relevant requirements.

The Department intends to issue periodic amendments to its Approved Documents to reflect emerging harmonised European Standards. Where a national standard is to be replaced by a harmonised European Standard, there will be a co-existence period during which either standard may be referred to. At the end of the co-existence period the national standard will be withdrawn.

<sup>1</sup> As implemented by the Construction Products Regulations 1991 (SI 1991/1620).

<sup>2</sup> As implemented by the Construction Products (Amendment) Regulations 1994 (SI 1994/3051).

## THE WORKPLACE (HEALTH, SAFETY AND WELFARE) REGULATIONS 1992

The Workplace (Health, Safety and Welfare) Regulations 1992 contain some requirements which affect building design. The main requirements are now covered by the Building Regulations, but for further information see: *Workplace health, safety and welfare, The Workplace (Health, Safety and Welfare) Regulations 1992, Approved Code of Practice and Guidance*; The Health and Safety Commission, L24; Published by HMSO 1992; ISBN 0 11886 333 9.

The Workplace (Health, Safety and Welfare) Regulations 1992 apply to the common parts of flats and similar buildings if people such as cleaners and caretakers are employed to work in these common parts. Where the requirements of the Building Regulations that are covered by this Part do not apply to dwellings, the provisions may still be required in the situations described above in order to satisfy the Workplace Regulations.

### Mixed use development

In mixed use developments part of a building may be used as a dwelling while another part has a non-domestic use. In such cases, if the requirements of this Part of the Regulations for dwellings and non-domestic use differ, the requirements for non-domestic use should apply in any shared parts of the building.



# N1/2 PROTECTION AGAINST IMPACT AND MANIFESTATION OF GLAZING

## The Requirements

This Approved Document deals with the following Requirement from Part N of Schedule 1 to the Building Regulations 2000.

<i>Requirement</i>	<i>Limits on application</i>
<p><b>Protection against impact</b></p> <p><b>N1.</b> Glazing, with which people are likely to come into contact whilst moving in or about the building, shall:</p> <ul style="list-style-type: none"><li>(a) if broken on impact, break in a way which is unlikely to cause injury; or</li><li>(b) resist impact without breaking; or</li><li>(c) be shielded or protected from impact.</li></ul>	
<p><b>Manifestation of glazing</b></p> <p><b>N2.</b> Transparent glazing, with which people are likely to come into contact while moving in or about the building, shall incorporate features which make it apparent.</p>	<p>Requirement N2 does not apply to dwellings.</p>

**Note: Attention is drawn to the following:**

Regulation 3 defines building work. Glazing which is installed in a location where there was none previously as part of the erection, extension or material alteration of a building, other than an exempt building, is building work and is subject to the Requirements of Part N. The installation of replacement windows or glazing (e.g. by way of repair) is not building work but its supply may be subject to consumer protection legislation.

Approved Document B: Fire safety includes guidance on fire-resisting glazing and the reaction of glass to fire.

The Approved Document for Part K: Protection from falling, collision and impact covers glazing which forms part of the protection from falling from one level to another, and which needs to ensure containment as well as limiting the risk of sustaining injury through contact. Recommendations are made for the heights up to which protection from falling should be provided and for means of achieving containment.

---

# Guidance

---

## Performance

### Requirement N1

**0.1** In the Secretary of State's view, Requirement N1 will be met by adopting, in critical locations, measures to limit the risk of sustaining cutting and piercing injuries.

**0.2** The most likely locations for impacts leading to such injuries are in doors and door side panels and at low level in walls and partitions. In doors and door side panels, the risk is at its greatest between floor and shoulder level, when near to door handles and push plates: especially when normal building movement causes doors to stick. Hands, wrists and arms are particularly vulnerable. An initial impact between waist and shoulder level may be followed by a fall through the glazing, resulting in additional injury to the face and body.

**0.3** In walls and partitions, away from doors, the risks are predominantly at low level. At that level, children are especially vulnerable.

**0.4** Glazing in critical locations would be considered reasonably safe were its nature such that, if breakage did occur, any particles would be relatively harmless.

**0.5** The requirement may also be met if the glazing is sufficiently robust to ensure that the risk of breakage is low, or if steps are taken to limit the risk of contact with the glazing.

### Requirement N2

**0.6** In the Secretary of State's view, Requirement N2 will be met by including, in critical locations, permanent means of indicating the presence of large uninterrupted areas of transparent glazing.

**0.7** The existence of large uninterrupted areas of transparent glazing represents a significant risk of injury through collision. The risk is at its most severe between areas of a building or its surroundings which are essentially at the same level and where a person might reasonably assume direct access between locations which are separated by glazing.

**0.8** In such locations, some means should be adopted to make glazing more apparent or visible to people using the building.

# Section 1: Protection against impact

## Critical locations

1.1 The following locations may be considered 'critical' in terms of safety;

- a. between finished floor level and 800mm above that level in internal and external walls and partitions (see Diagram 1);
- b. between finished floor level and 1500mm above that level in a door or in a side panel, close to either edge of the door (see Diagram 1).

## Reducing the risks

1.2 Glazing in critical locations should either,

- a. break safely, if it breaks (see paragraph 1.3); or
- b. be robust or in small panes (see paragraphs 1.4, 1.5 and 1.6 and Diagrams 2 and 3); or
- c. be permanently protected (see paragraphs 1.7 and 1.8 and Diagram 4).

## Safe breakage

1.3 Safe breakage is defined in BS 6206:1981 Specification for impact performance requirements for flat safety glass and safety plastics for use in buildings: clause 5.3, and is based on an impact test which requires the result of the impact to be limited to creating:

- a. a small clear opening only, with a limit to the size of the detached particles; or
- b. disintegration, with small detached particles; or
- c. breakage resulting in separate pieces that are not sharp or pointed.

In terms of safe breakage, a glazing material suitable for installation in a critical location would satisfy the requirements of Class C of BS 6206 or, if it is installed in a door or in a door side panel and has a pane width exceeding 900mm, the requirements of Class B of the same standard.

## Robustness

1.4 Some glazing materials, such as annealed glass, gain strength through thickness; others such as polycarbonates or glass blocks are inherently strong. Some annealed glass is considered suitable for use in large areas forming fronts to shops, showrooms, offices, factories and public buildings. Reasonable glass thickness/dimension limits for annealed glass which may be used in these locations are shown in Diagram 2 (see also paragraph 2.1).

Diagram 2 Annealed glass thickness/ dimension limits

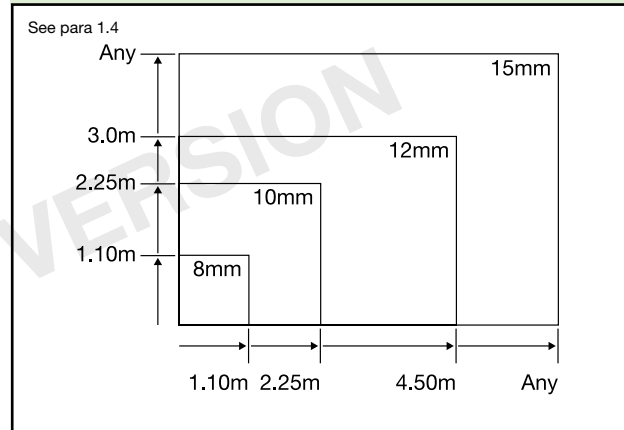
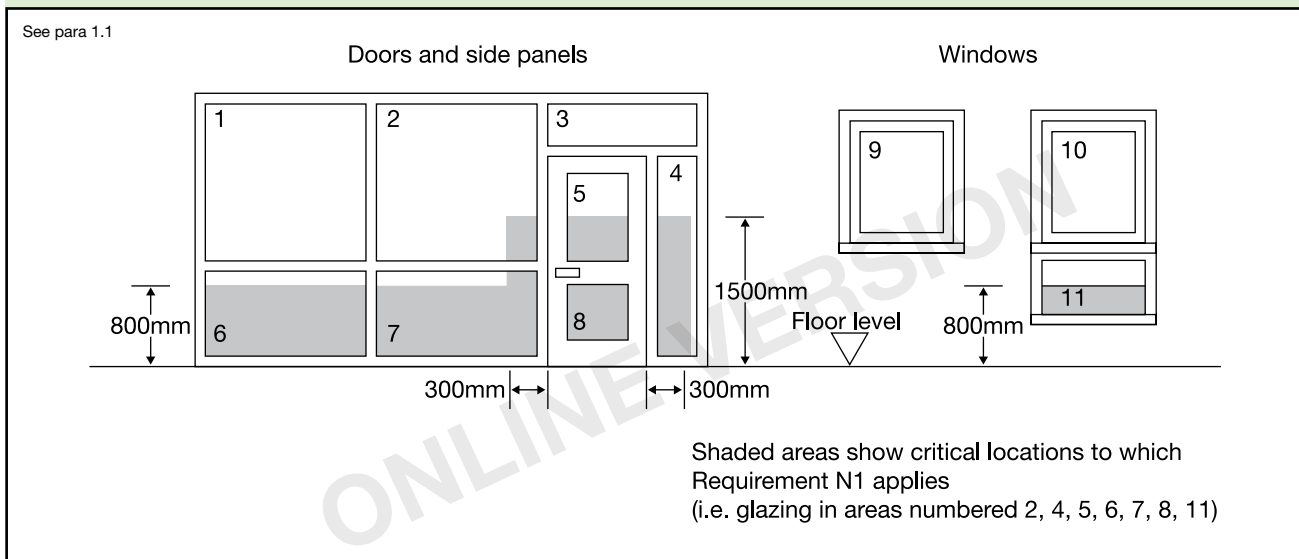


Diagram 1 Critical locations in internal and external walls



**Glazing in small panes**

**1.5** In the context of this Approved Document, a 'small pane' may be an isolated pane, or one of a number of panes contained within glazing bars, traditional leaded lights or copper-lights.

**1.6** Small panes should have a smaller dimension not exceeding 250mm and an area not exceeding 0.5m<sup>2</sup> each measured between glazing beads or similar fixings. Annealed glass in a small pane should not be less than 6mm nominal thickness, except in traditional leaded or copper-lights in which 4mm glass would be acceptable, when fire resistance was not a factor. Typical installations are shown in Diagram 3.

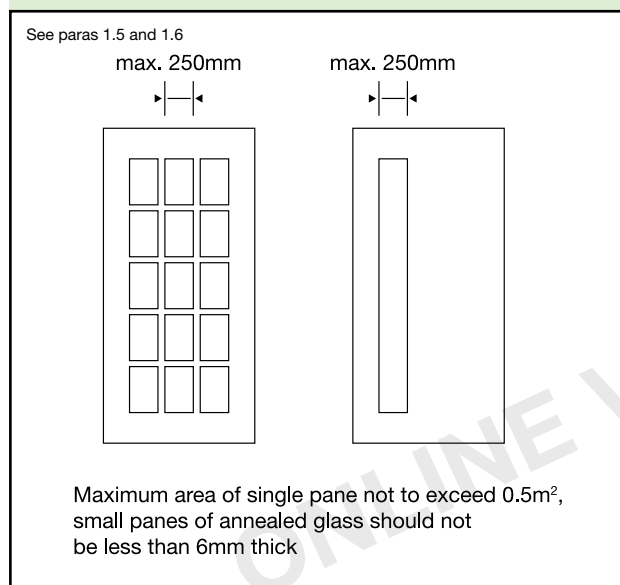
**Permanent screen protection**

**1.7** If, as part of a design solution, glazing in a critical location is installed behind permanent screen protection, the screen should:

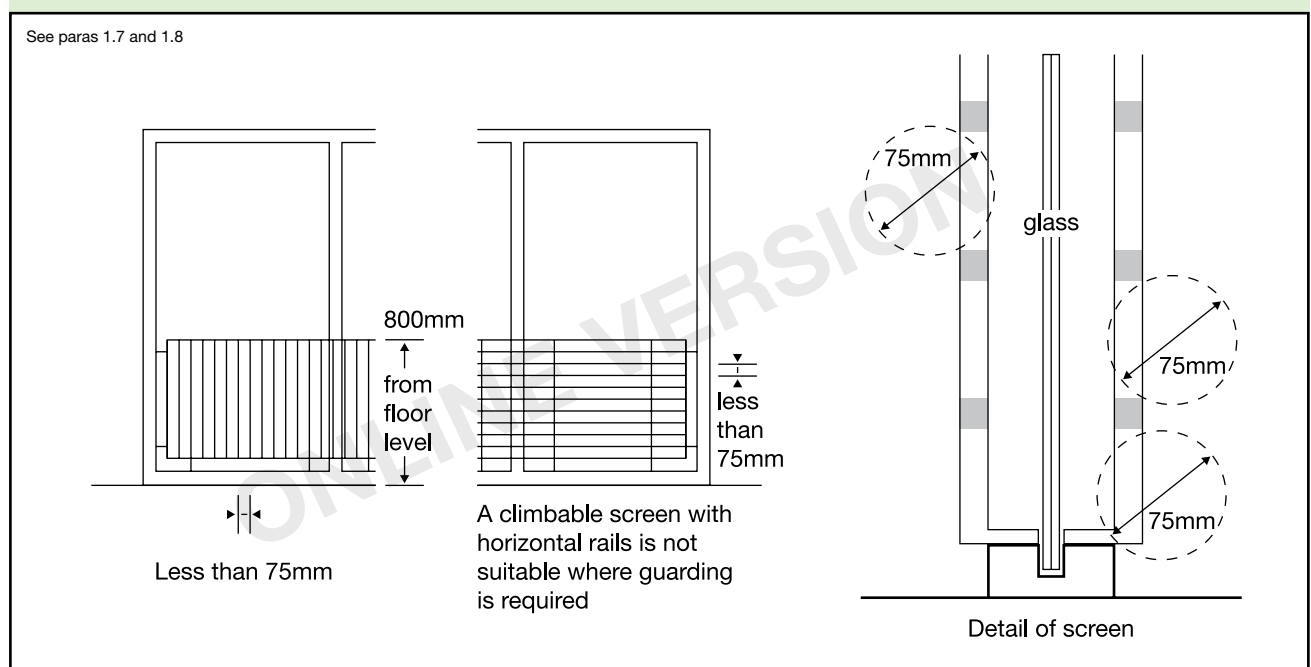
- a. prevent a sphere of 75mm from coming into contact with the glazing;
- b. be robust; and
- c. if it is intended to protect glazing that forms part of protection from falling, be difficult to climb.

**1.8** Glazing in a critical location which is afforded permanent screen protection does not, itself, need to comply with Requirement N1. The principles of screen protection are shown in Diagram 4.

**Diagram 3 Dimensions and areas of small panes**



**Diagram 4 Permanent screen protection**



# Section 2: Manifestation of glazing

## Critical locations

**2.1** Manifestation of glazing is only necessary in critical locations in which people moving in or about the building might not be aware of the presence of the glazing and may collide with it. 'Critical locations' include large uninterrupted areas of transparent glazing which form, or are part of, the internal or external walls and doors of shops, showrooms, offices, factories, public or other non-domestic buildings.

**2.2** The risk of collision is most severe when two parts of the building, or the building and its immediate surroundings, are essentially at the

same level but separated by transparent glazing and a person might reasonably have the impression that they are able to walk from one part to the other without interruption.

## Permanent manifestation of glazing

**2.3** Permanent manifestation of large uninterrupted areas of transparent glazing is only necessary when other means of indicating the presence of the glazing are not used. These other means may include mullions, transoms, door framing or large pull or push handles.

**2.4** Where 'manifestation' is necessary, it may take the form of broken or solid lines, patterns or company logos at appropriate heights and intervals (see Diagram 5).

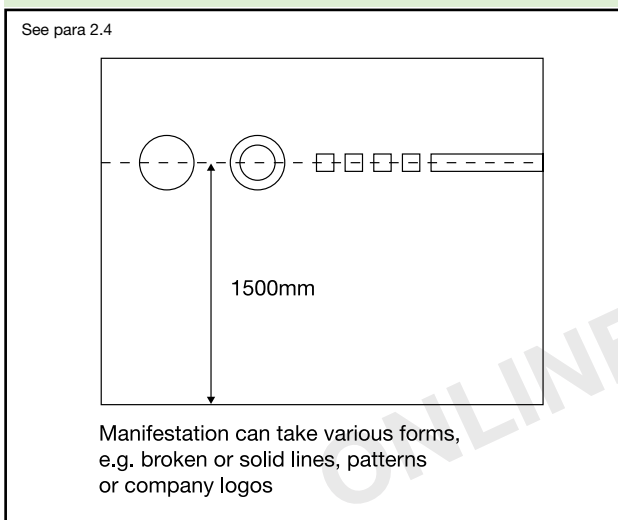
**2.5** Diagram 6 includes examples of a number of methods of indicating the presence of glazing.

## Alternative indications of glazing

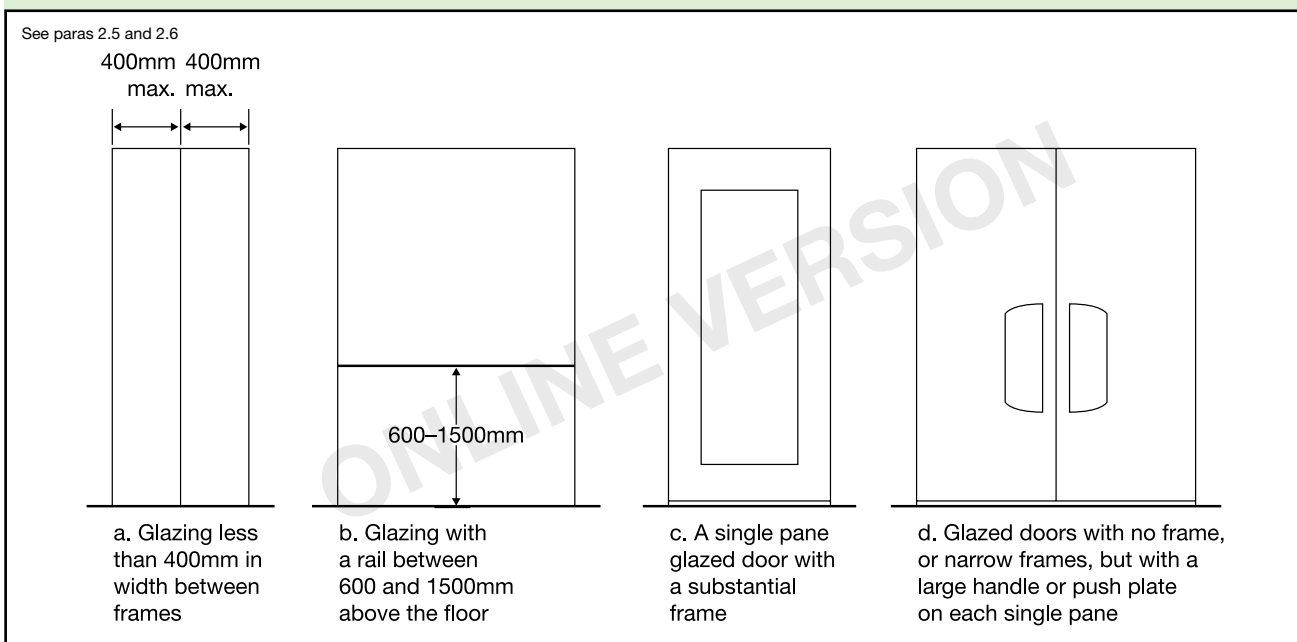
**2.6** Examples of installations of glazing which would not normally warrant 'manifestation' include:

- door height transparent glazing less than 400mm in width;
- door height transparent glazing with a rail at a height of between 600mm and 1500mm above finished ground or floor level;
- a single pane glazed door with substantial framing; or
- a single pane glazed door which either is not framed or has very narrow framing, but is provided with large easily seen push or pull plates or handles.

**Diagram 5 Height of 'manifestation' of large areas of transparent glazing**



**Diagram 6 Examples of door height glazing not warranting 'manifestation'**



## The Requirement

This Approved Document deals with the following Requirement from Part N of Schedule 1 to the Building Regulations 2000.

<i>Requirement</i>	<i>Limits on application</i>
<p><b>Safe opening and closing of windows, etc.</b></p> <p>N3. Windows, skylights and ventilators which can be opened by people in or about the building shall be so constructed or equipped that they may be opened, closed or adjusted safely.</p>	<p>Requirement N3 does not apply to dwellings.</p>

### Note:

#### Attention is drawn to the Workplace (Health, Safety and Welfare) Regulations 1992

Compliance with Building Regulation requirement N3 would, in accordance with Section 23(3) of the Health and Safety at Work, etc. Act 1974, prevent the service of an improvement notice with regard to the requirements for opening, closing or adjusting windows, skylights and ventilators in Regulation 15(1) of the Workplace (Health, Safety and Welfare) Regulations 1992.

## Guidance

### Performance

#### Requirement N3

In the Secretary of State's view, Requirement N3 will be met if windows, skylights and ventilators which open can be operated safely.

## Section 3: Safe opening and closing of windows, etc.

### Introduction to provisions

**3.1** This Approved Document sets out some ways of complying with the requirement.

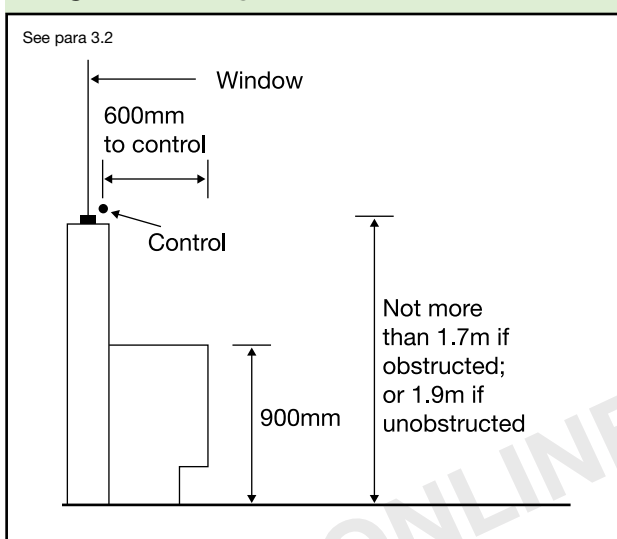
### Location of controls

- 3.2**
- Where controls can be reached without leaning over an obstruction they should not be more than 1.9m above the floor or other permanent stable surface provided to give access. Small recesses, such as window reveals, should be ignored.
  - Where there is an obstruction the control should be lower, e.g. not more than 1.7m, where there is a 600mm deep obstruction (including any recess) not more than 900mm high. See Diagram 7.
  - Where controls cannot be positioned within safe reach from a permanent stable surface, a safe means of remote operation, such as a manual or electrical system should be provided.

### Prevention of falls

**3.3** Where there is a danger of the operator or other person falling through a window above ground floor level, suitable opening limiters should be fitted or guarding should be provided (see Approved Document K, Protection from falling, collision and impact).

**Diagram 7 Height of controls**



# The Requirement

This Approved Document deals with the following Requirement from Part N of Schedule 1 to the Building Regulations 2000.

<i>Requirement</i>	<i>Limits on application</i>
<p><b>Safe access for cleaning windows etc.</b></p> <p><b>N4.</b> Provision shall be made for any windows, skylights, or any transparent or translucent walls, ceilings or roofs to be safely accessible for cleaning.</p>	<p>Requirements N4 does not apply to:</p> <p>(a) dwellings, or</p> <p>(b) any transparent or translucent elements whose surfaces are not intended to be cleaned.</p>

## Note:

### Attention is drawn to the Workplace (Health, Safety and Welfare) Regulations 1992

Compliance with Building Regulation Requirement N4 would, in accordance with Section 23(3) of the Health and Safety at Work, etc. Act 1974, prevent the service of an improvement notice with regard to the requirements for cleaning windows and skylights, etc. in Regulation 16 of the Workplace (Health, Safety and Welfare) Regulations 1992.

# Guidance

## Performance

### Requirement N4

In the Secretary of State's view, Requirement N4 will be met if provision is made for safe means of access for cleaning both sides of glazed surfaces where there is danger of falling more than two metres.



## Section 4: Safe access for cleaning windows, etc.

### Introduction to provisions

**4.1** This Approved Document sets out some ways of complying with the requirement.

**4.2** Where glazed surfaces cannot be cleaned safely by a person standing on the ground, a floor or other permanent stable surface, the requirement could be satisfied by provisions such as the following:

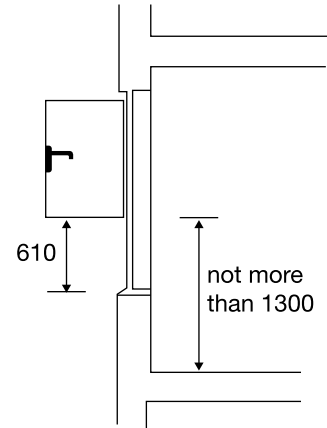
- a. Provision of windows of a size and design that allow the outside surface to be cleaned safely from inside the building (see Diagram 8). Windows which reverse for cleaning should be fitted with a mechanism which holds the window in the reversed position. Additional guidance is given in BS 8213-1 Windows, doors and rooflights (Approved Document K contains guidance on minimum sill heights).
- b. Provision of an adequate area of firm level surface, in a safe place, to allow use of portable ladders not more than 9m long (measured from the ground to the upper support). Where ladders up to 6m long will be used, normal soil will provide a suitable standing surface (see Diagram 9); where ladders over 6m long will be used, suitable tying or fixing points should be provided (see Diagram 10).
- c. Provision of walkways at least 400mm wide, either with guarding at least 1100mm high, or with anchorages for sliding safety harnesses (see Diagram 10).
- d. Provision of access equipment such as suspended cradles or travelling ladders, with attachments for safety harnesses.
- e. Provision of suitable anchorage points for safety harnesses or abseiling hooks.
- f. Only in circumstances where other means cannot be used, space for scaffold towers should be provided, and located so that glazed surfaces can be cleaned.

Diagram 8 Safe reaches for cleaning

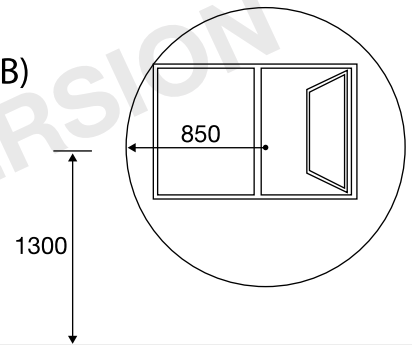
See para 4.2

All dimensions are in mm.

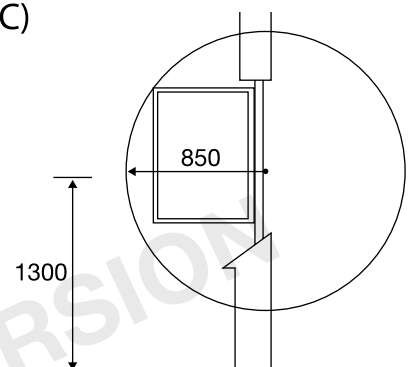
(A)



(B)



(C)

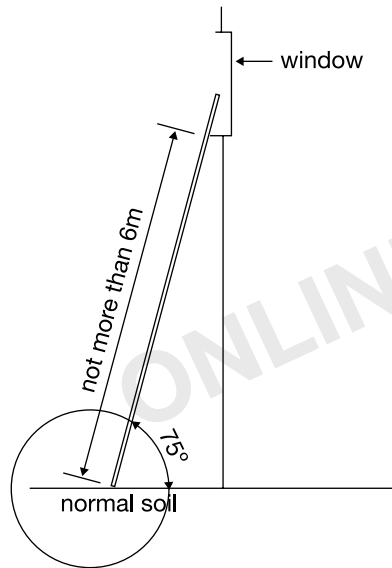


Typical safe reaches for cleaning windows:

- (A) downwards reach through an opening light;
- (B) side reach through an opening light;
- (C) reach for cleaning an open casement with reflex hinges.

**Diagram 9 Ladders not more than 6m long**

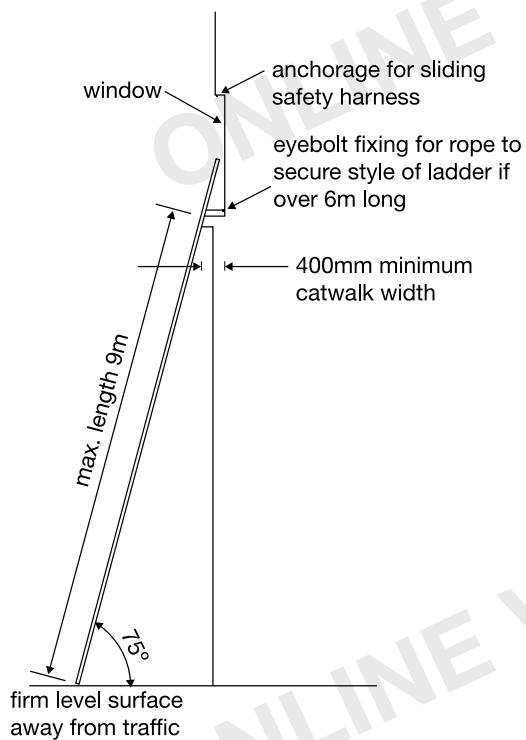
See para 4.2



Special safety features are not necessary if the ladder is not more than 6m long.

**Diagram 10 Ladders not more than 9m long**

See para 4.2



Access to window from a catwalk. Diagram shows:  
 – fixing for ladder (see 4.2b) required if it is over 6m long  
 – anchorage for sliding safety harness (see 4.2c) for working on a catwalk.

---

## Standards referred to

---

**BS 6206:1982**

Specification for impact performance requirements for flat safety glass and safety plastics for use in buildings. AMD 4580 1984, AMD 5189 1986, AMD 7589 1993, AMD 8156 – replaced by AMD 8693 1995.

**BS 8213-1:1991**

Windows, doors and rooflights. Code of practice for safety in use and during cleaning of windows and doors (including guidance on cleaning materials and methods).

(Withdrawn and superseded by BS 8213-1:2004 Windows, doors and rooflights. Code of practice for safety in use and during cleaning of windows and doors (including guidance on cleaning materials and methods.)

ONLINE VERSION

ONLINE VERSION

## APPROVED DOCUMENTS

The following documents have been approved and issued by the First Secretary of State for the purpose of providing practical guidance with respect to the requirements of the Building Regulations 2000 (as amended).

**Approved Document A: Structure**

2004 edition incorporating 2004 amendments

**Approved Document B: Fire safety**

2000 edition incorporating 2000 and 2002 amendments

**Approved Document C: Site preparation and resistance to contaminants and moisture**

2004 edition

**Approved Document D: Toxic substances**

1992 edition incorporating 2002 amendments

**Approved Document E: Resistance to the passage of sound**

2003 edition incorporating 2004 amendments

**Approved Document F: Ventilation**

2006 edition

**Approved Document G: Hygiene**

1992 edition incorporating 1992 and 2000 amendments

**Approved Document H: Drainage and waste disposal**

2002 edition

**Approved Document J: Combustion appliances and fuel storage systems**

2002 edition

**Approved Document J: 2002 Edition: Guidance and Supplementary Information on the UK Implementation of European Standards for Chimneys and Flues**

2002 edition

**Approved Document K: Protection from falling collision and impact**

1998 edition incorporating 2000 amendments

**Approved Document L1A: Conservation of fuel and power**

New dwellings  
2006 edition

**Approved Document L1B: Conservation of fuel and power**

Existing dwellings  
2006 edition

**Approved Document L2A: Conservation of fuel and power**

New buildings other than dwellings  
2006 edition

**Approved Document L2B: Conservation of fuel and power**

Existing buildings other than dwellings  
2006 edition

**Approved Document M: Access to and use of buildings**

2004 edition

**Approved Document N: Glazing – safety in relation to impact, opening and cleaning**

1998 edition incorporating 2000 amendments

**Approved Document P: Electrical safety – Dwellings**

2006 edition

**Approved Document to support regulation 7: Materials and workmanship**

1992 edition incorporating 2000 amendments

ONLINE VERSION

Published by NBS, part of RIBA Enterprises Ltd, and available from:

**RIBA Bookshops Mail Order**

15 Bonhill Street  
London EC2P 2EA

Telephone orders/General enquiries: 020 7256 7222

Fax orders: 020 7374 2737

Email orders: sales@ribabookshops.com

Or order online at:

[www.thebuildingregs.com](http://www.thebuildingregs.com)

**RIBA Bookshops**

66 Portland Place, London W1B 1AD. Telephone 020 7256 7222.

113-115 Portland Street, Manchester M1 6DW. Telephone 0161 236 7691.

Birmingham & Midland Institute, Margaret Street, Birmingham B3 3SP. Telephone 0121 233 2321.

RSUA, 2 Mount Charles, Belfast BT7 1NZ. Telephone 028 9032 3760.

Renew Rooms, 82 Wood Street, Liverpool L1 4DQ. Telephone 0151 707 4380.

ISBN-10 1 85946 212 X  
ISBN-13 978 1 85946 212 6

Stock code 56664

© Crown copyright 2006

The Approved Documents are published by NBS for the Office of the Deputy Prime Minister.

This publication has been approved by Ministers and has official status. Copyright in the contents, the cover, the design and the typographical arrangement of this publication rests with the Crown unless otherwise stated. The contents of this publication may be reproduced free of charge in any format or medium for the purposes of private research and study or for internal circulation within an organisation. This is subject to the contents being reproduced accurately and not in a way that implies official status. Any publisher wishing to reproduce the content of this publication must not use or replicate the ODPM crest or replicate the official version's style and appearance, including the cover design, and must not present their publication as being an official publication as this may confuse the public. The reproduced material must be acknowledged as Crown Copyright and the title of the publication specified. The Office of the Deputy Prime Minister does not accept any responsibility for the accuracy and comprehensiveness of any other versions.

Any other use of the contents of this publication would require a copyright licence. Please apply for a licence by writing to the Office of Public Sector Information, Information Policy Team, St Clements House, 2-16 Colegate, Norwich NR3 1BQ. Fax 01603 723000 or email [HMSOlicensing@cabinet-office.x.gsi.gov.uk](mailto:HMSOlicensing@cabinet-office.x.gsi.gov.uk). Further information can be obtained from [www.opsi.gov.uk](http://www.opsi.gov.uk).

**NBS**

[www.thenbs.com](http://www.thenbs.com)

ISBN 1-859462-12-X



9 781859 462126 >